



Technical Supplement

Fused Pulling Head, 5t Swivel Assembly A | HDPE Pipe Handling FCX-HS12 | Release Date 1/18/2019

Attach all supporting documentation including but not limited to drawings, PE stamps, calculations, etc. For fabricated rigging a detailed drawing and PE stamp must be provided.

Date: 4/25/2016	Site: Company PSST	Division Manager: Company PSST
Description of Rigging: HDPE Fused Pulling Head, 5-Ton Swivel	Working Load Limit: 16,667 lbs	

Engineering Review:

The rigging described here is one of the six original rigging assemblies (Rigging Assembly "A")

Alternative rigging equipment and supplier may be substituted as long as they have:

- Equivalent function
- Equivalent rating or higher (Working Load Limit must be based on a design factor of at least 1:3)

Engineering Review Summary

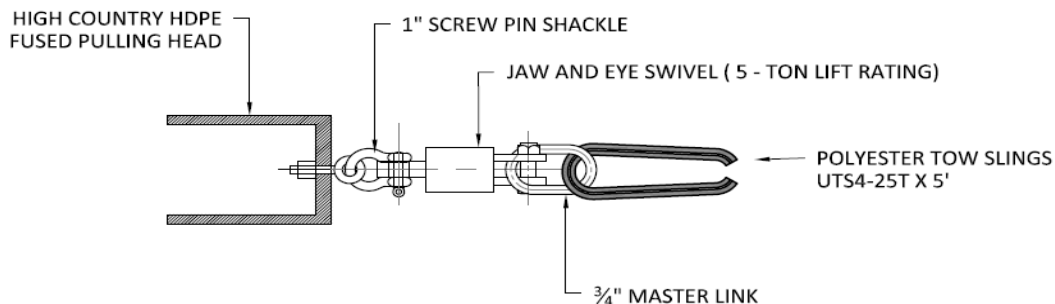
Pipe Diameter and SDR: See Attached Table	Pipe Length: 400-ft	Pipe Yield Strength: n/a
---	---------------------	--------------------------

When using a shackle to pipe assembly analysis must include the following:

Shackle's Working Load Limit:	Shackles Attached to Pipe (number):	Shackle Pin Diameter, D_p (inches):
Bushing Diameter, D_p (inches):	Hole Diameter in HDPE Pipe, D_h (inches):	Shackle Gap Opening Width, W :
Opening Length, L :	Edge of Pipe to Center of Hole, R :	

Assembly Description/Diagram:

(this must be listed below or attached on a separate sheet)



(A) HDPE FUSED PULLING HEAD, 5- TON SWIVEL

Parts List:

Include all parts such as: pulling head, swivel, nylon sling, shackle to equipment, master link, wire rope slings, flange break strength, rotational energy controls, etc.

Ref. #	Quantity	Item Description	Supplier	Part Number	Working Load Limit
n/a	1	High Country HDPE Fused Pulling Head	Polywarehouse	See Support Docs	16,667 lbs
n/a	1	Jaw and Eye Swivel, 5-ton Lift Rating	Certex	CX05-0259	16,667 lbs
n/a	As Needed	3/4" Master Link	Certex	CX05-0708	16,667 lbs
n/a	As Needed	1" Screw Pin Shackle	Certex	CX10-0026	16,667 lbs
n/a	1	Polyester Tow Sling UTS4-25T x 5-ft	Certex	CX08-0039-5	16,667 lbs

A) HDPE Fused Pulling Head, 5-ton Swivel

		Pipe SDR Rating									
		32.5	26	21	19	17	15.5	13.5	11	9	7
Nominal Pipe Diameter (inches)	12	Green	Green	Green	Green	Green	Green	Green	Green	Green	Green
	14	Green	Green	Green	Green	Green	Green	Green	Green	Green	Green
	16	Green	Green	Green	Green	Green	Green	Green	Green	Green	Yellow
	18	Green	Green	Green	Green	Green	Green	Green	Green	Red	Red
	20	Green	Green	Green	Green	Green	Green	Green	Red	Red	Red
	22	Green	Green	Green	Green	Green	Green	Red	Red	Red	Red
	24	Green	Green	Green	Green	Red	Red	Red	Red	Red	Red
	26	Green	Green	Yellow	Red	Red	Red	Red	Red	Red	Red
	28	Green	Green	Red	Red	Red	Red	Red	Red	Red	Red
	30	Green	Red	Red	Red	Red	Red	Red	Red	Red	Red
	32	Yellow	Red	Red	Red	Red	Red	Red	Red	Red	Red
	34	Red	Red	Red	Red	Red	Red	Red	Red	Red	Red
36	Red	Red	Red	Red	Red	Red	Red	Red	Red	Red	

Rigging can be used on grades up to 25%

Rigging can be used on grades up to 17.5%

Rigging cannot be used

A) HDPE Fused Pulling Head, 5-ton Swivel

		Pipe SDR Rating									
		32.5	26	21	19	17	15.5	13.5	11	9	7
Nominal Pipe Diameter (inches)	12	X	X	X	X	X	X	X	X	X	X
	14	X	X	X	X	X	X	X	X	X	X
	16	X	X	X	X	X	X	X	X	X	O
	18	X	X	X	X	X	X	X	X		
	20	X	X	X	X	X	X	X			
	22	X	X	X	X	X	X				
	24	X	X	X	X						
	26	X	X	O							
	28	X	X								
	30	X									
	32	O									
	34										
36											

X - Rigging can be used on grades up to 25%

O - Rigging can be used on grades up to 17.5%

Rigging cannot be used